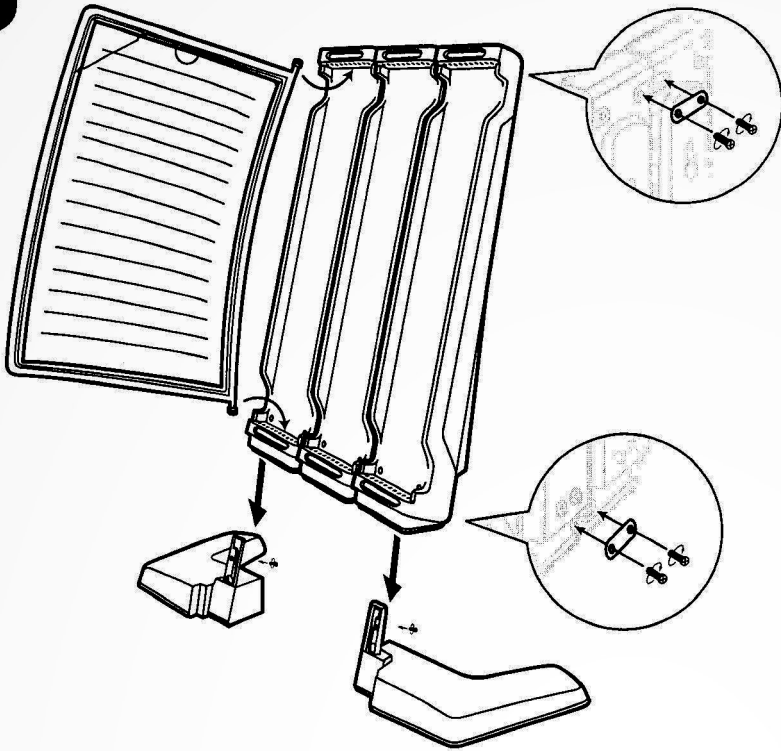
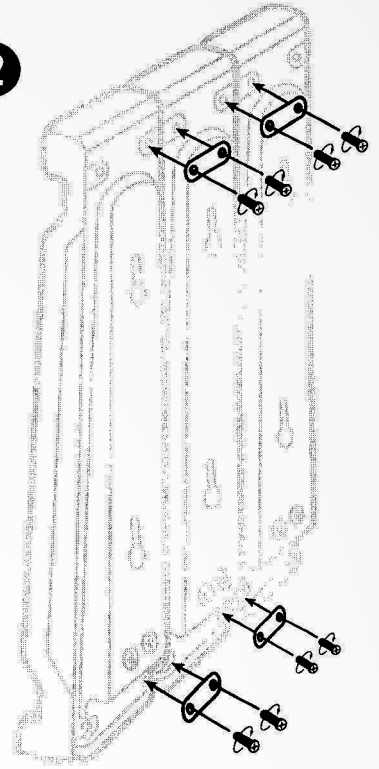


Assembling Instruction :

1



2

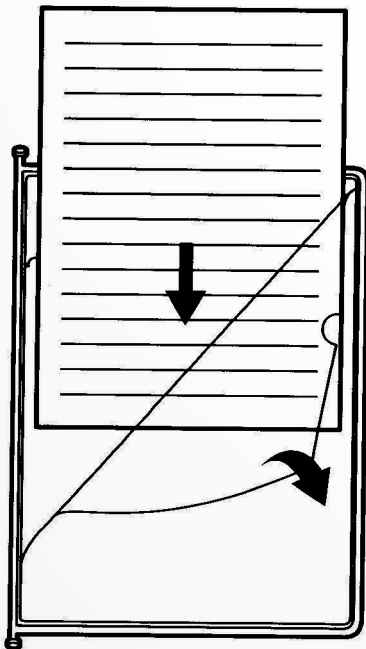


① * Optional extension by adding up to 2 models ②

② * Optional extension by adding model ①

Assembling Instruction :

1



2

